

TKR Single-phase Electronic Regulator Series

TKR单相电子式稳压器系列



概述 General

- ▶ 我司是专业生产工业、商业、家用等全自动交流稳压器的厂家，产品外观设计豪华、性能稳定、深受欧美市场青睐，公司技术力量雄厚，设备精良，检测手段先进，质量性能在同类产品中属领先水平。

Our company is specialized in producing industrial, commercial, household and other automatic AC voltage regulators. The products are luxurious in design and stable in performance. They are favored by European and American markets. The company has strong technical strength, excellent equipment, advanced testing methods and quality performance in the same category. The product is at the leading level.

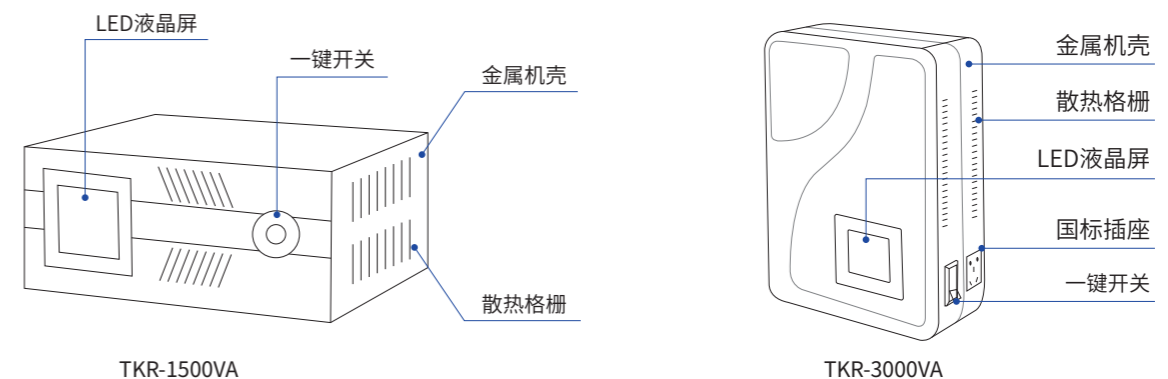
- ▶ PC (程控电脑化) 系列稳压器，是我公司率先选用美国芯片，利用电脑数字化程序来控制整机的功能运行，改进了以往模拟式稳压器的诸多缺点，使产品的品质更可靠，性能更稳定，功能更强大。PC (程控电脑化) 系列稳压器是我公司在多年生产JZW、TM、SVC、TSD系列稳压器的基础上，广泛开展市场调研，并汇集广大技术人员的智慧和心血，通过不断的改革和创新，推出的一款具有低能耗、过电压保护、欠电压保护、过功率保护、过温度保护、漏电保护等多种保护功能集于一体及选择性延时、抗冲击、LED多显示、集节能与环保等诸多新技术于一机全新概念的豪华型新产品。本系列稳压电源使用面广、适应性强，是智能家用电器、工业控制设备、各类电子仪器仪表等可靠工作及安全保护的理想选择！其自身耗电极小，可长时间连续使用。

PC (programmed computerized) series regulators are our company's first choice of US chips, using computerized digital programs to control the function of the whole machine, improving the shortcomings of the past analog voltage regulators, making the quality of products more reliable. More stable performance and more powerful features. PC (programmed computerized) series regulators are based on the company's production of JZW, TM, SVC, TSD series regulators for many years, extensive market research, and the wisdom and efforts of the vast number of technical personnel, through continuous reform and innovation, launched a low energy consumption, over voltage protection, under voltage protection, over power protection, over temperature protection, leakage protection and other protection features integrated and selective delay, impact resistance, LED display, set a new luxury product with a new concept of energy saving and environmental protection. This series of regulated power supply is widely used and adaptable. It is an ideal choice for reliable work and safety protection of smart household appliances, industrial control equipment, various electronic instruments and meters! Its own consumption of small electrodes, can be used continuously for a long time.

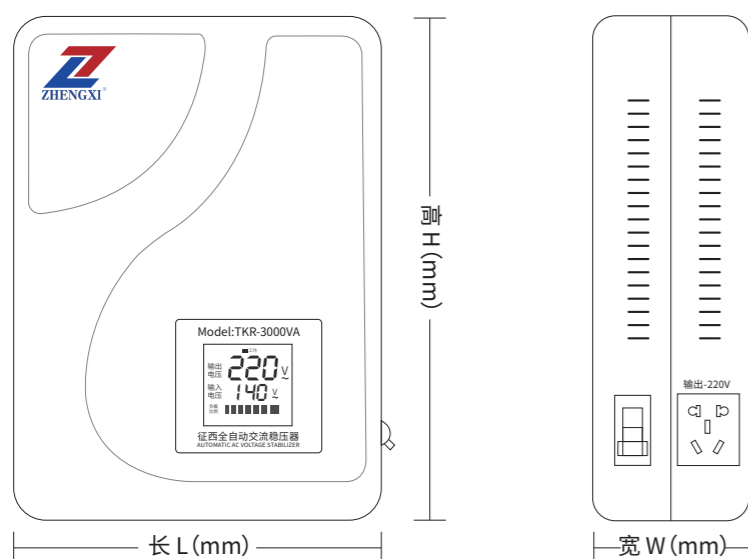
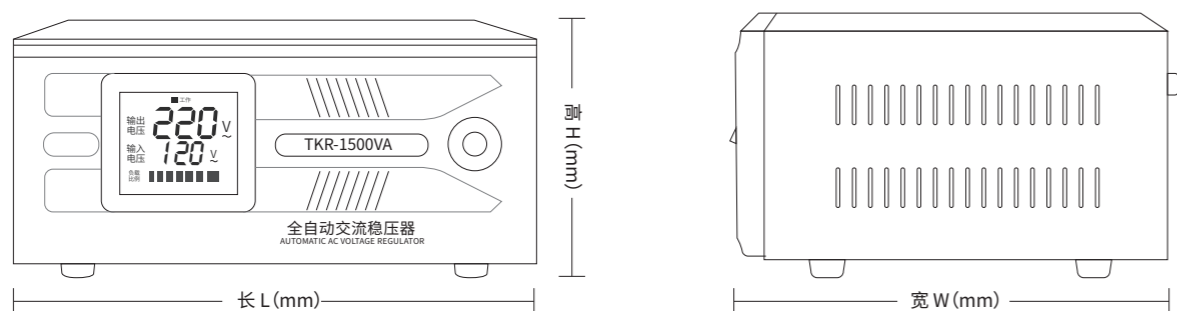
功能特点 Main features

超宽范围输入电压	Ultra-wide range input voltage
多种开/关机方式选择	Multiple on/off mode selection
标准输出电压	Standard output voltage
过电压保护	Overvoltage protection
欠电压保护	Undervoltage protection
过载提示	Overload prompt
过载保护	Overload protection
过温保护	Over temperature protection
多选择电源控制方式	Multi-select power control mode
蜂鸣器状态提示、保护告警提示	Buzzer status prompt, protection alarm prompt
LED输入电压数字显示	LED input voltage digital display
LED输出电压数字显示	LED output voltage digital display
LED负载使用率百分比数字显示	LED load usage percentage digital display
LED状态提示显示	LED status prompt display
LED保护信息显示	LED protection information display
LED延时、计时、计次显示	LED delay, timing, counting display
程控变换7彩亮字型 (单色字型) LED显示	Program control conversion 7 color bright type (monochrome font) LED display
多状态告警提示	Multi-state alarm prompt

产品解析 Product analysis



外观尺寸 Appearance of size



产品型号 Product model	输入电压 Input voltage	输出电压 Output voltage	尺寸 (mm) 长x宽x高 L x W x H
TKR-1500VA	105V~270V	220V±3%	230*195*113
TKR-2000VA	105V~270V	220V±3%	230*195*113
TKR-3000VA	140V~260V	220V±3%	290*220*160
TKR-5000VA	140V~260V	220V±3%	290*220*160

技术参数 Main technical parameter

品 牌 brand	征西 ZHENGXI
型 号 model	TKR系列 TKR series
波形失真 Waveform distortion	无附加波形失真 No additional waveform distortion
工作频率 Working frequency	50/60HZ
绝缘电阻 Insulation resistance	≥2Ω
输出延时时间 Output delay time	5秒 5s
输出过载提示 Output overload prompt	超出额定输出容量之100% Exceeding 100% of rated output capacity
输出过载保护 Output overload protection	超出额定输出容量之120% Exceeding 120% of rated output capacity
输出过压保护 Output overvoltage protection	>AC 244±4V
输出欠压保护 Output undervoltage protection	(可选) (optional)
机内过热保护 In-machine overheat protection	变压器线包温度:120±5°C Transformer line package temperature: 120±5°C
LED输入显示范围 LED input display range	0-450V (溢出范围显示:Err) 0-450V (overflow range display: Err)
LED输出显示范围 LED output display range	0-450V (溢出范围显示:000) 0-450V (overflow range display: 000)
LED负载显示范围 LED load display range	000-119% (溢出范围显示:OVL) 000-119% (overflow range display: OVL)
LED状态提示显示 LED status prompt display	延时;正常;保护 Delay; normal; protection
LED保护信息显示 LED protection information display	过压;欠压;超载;超溢; Overpressure; undervoltage; overload; overfill;
LED背光源 LED backlight	程控变换7彩亮字型/固定7彩中某一色 Program-controlled transformation 7 color bright font / fixed 7 color in a certain color
LED视角 LED viewing angle	时钟6:00 Clock 6:00
电源控制方式 Power control mode	传统ON/OFF;新型自锁ON/OFF;新型轻触ONE/SHOT Traditional ON/OFF; new self-locking ON/OFF; new touch ONE/SHOT
保护提示 Protection prompt	蜂鸣器 (可选) Buzzer (optional)
延时提示 Delay display	5秒钟/255秒倒计时 5 seconds / 255 seconds countdown
调整时间 Adjust the time	≤1s [当输入电压变化20V时] When the input voltage change 20 v